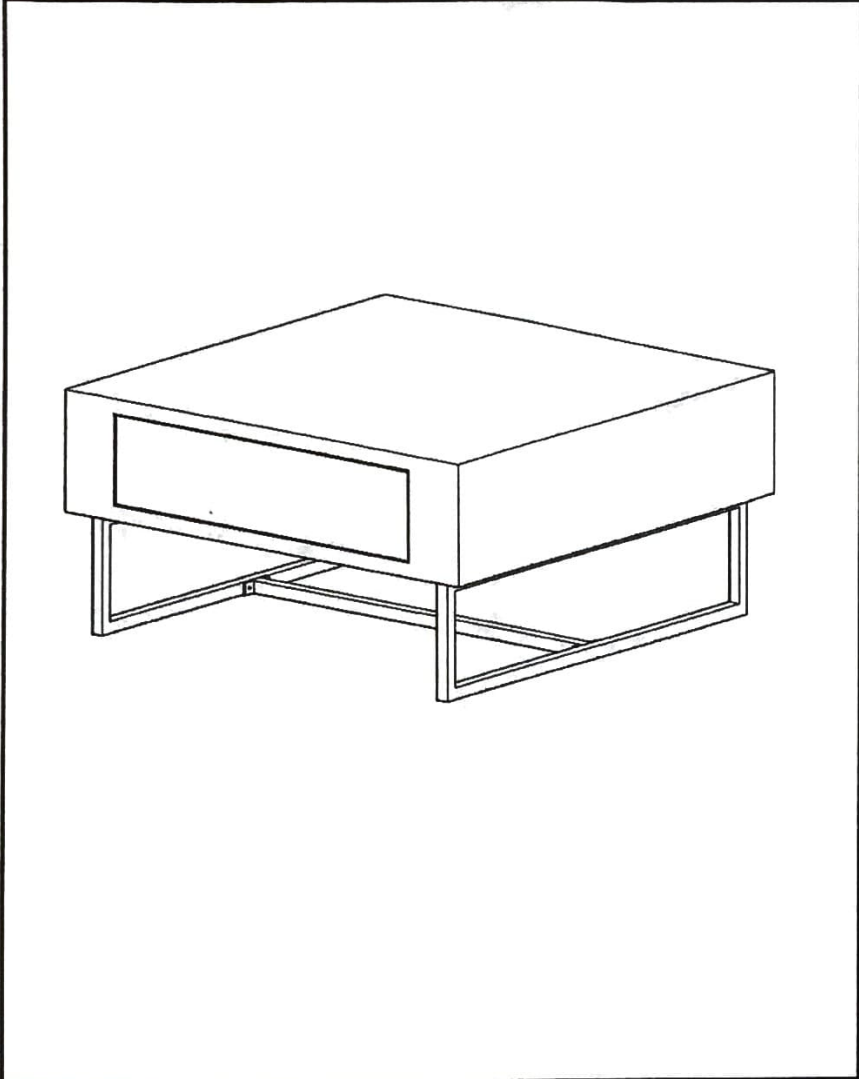
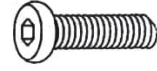


# ASSEMBLY INSTRUCTION



## PART LIST

A\*6pcs



M6\*35MM

B\*6pcs



M6\*18MM

C\*1pcs



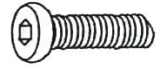
M4

D\*4pcs



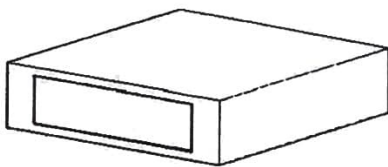
18\*40MM

E\*4pcs

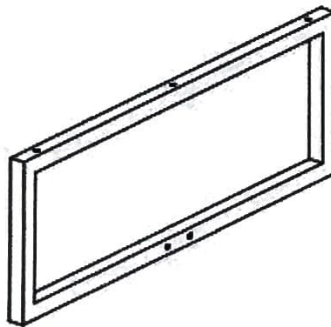


M6\*18MM

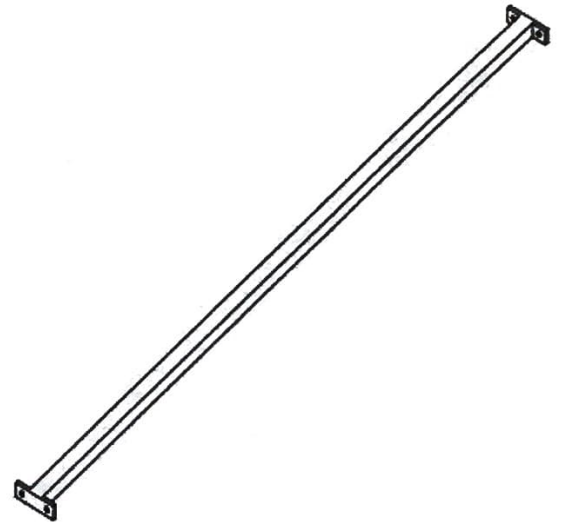
F\*1pcs



P1x1pc



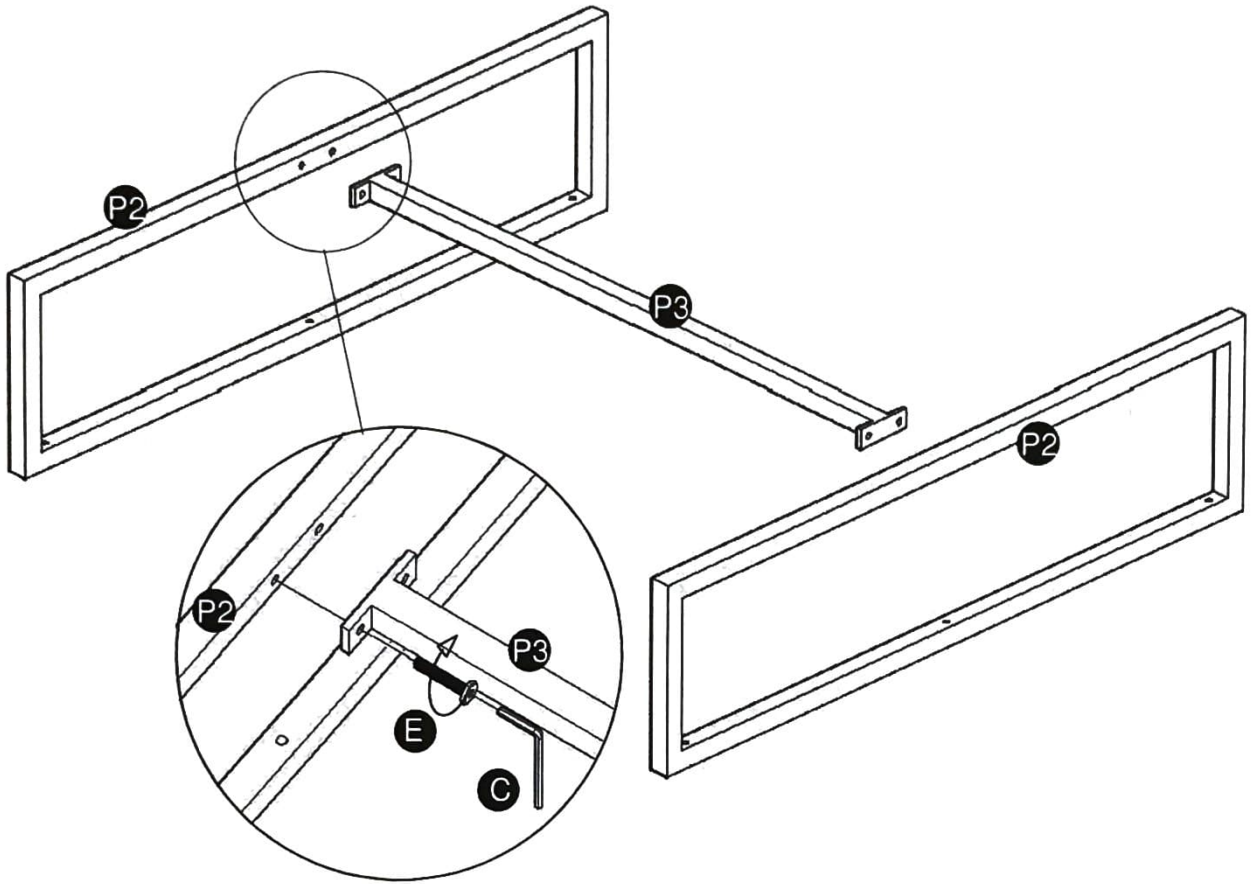
P2x2pc



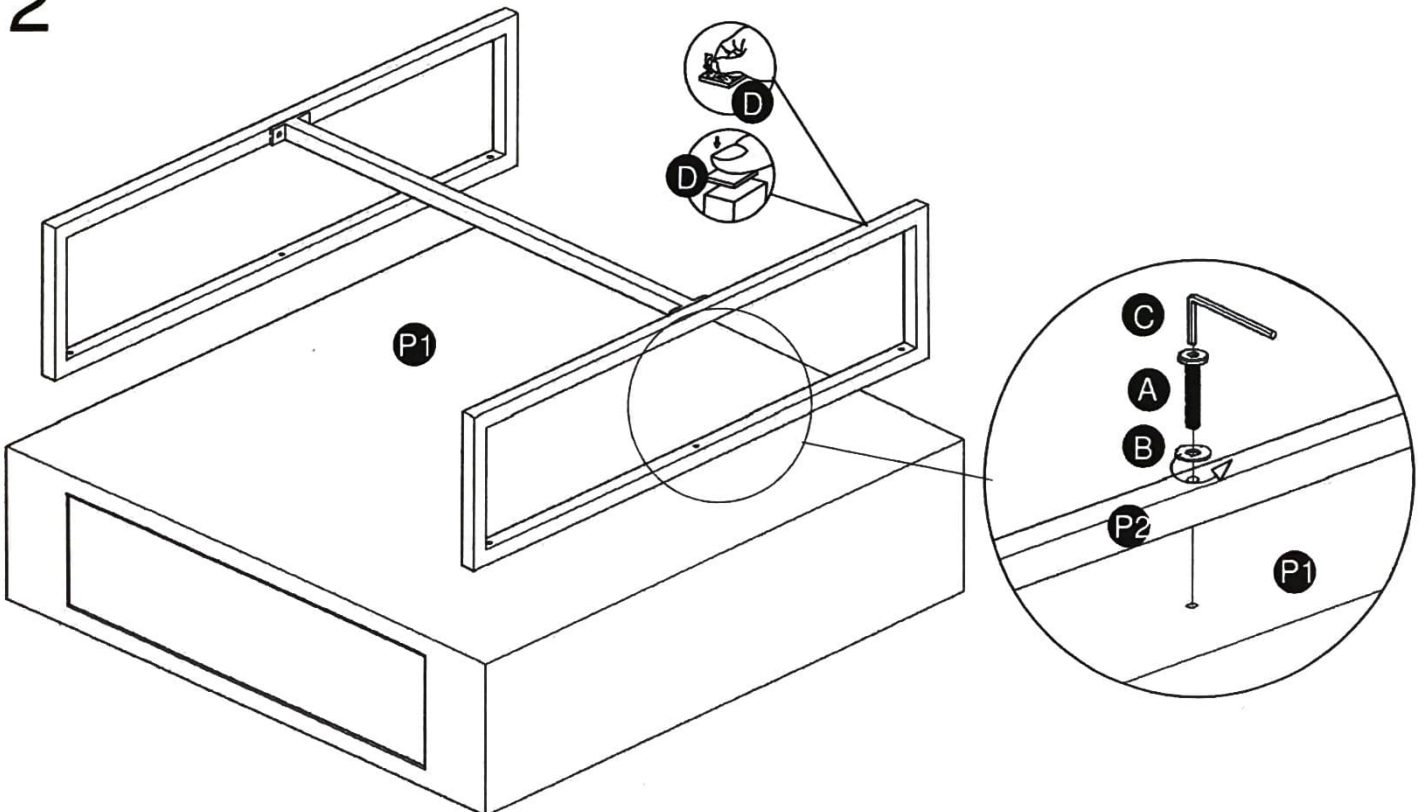
P3x1pc

# ASSEMBLY INSTRUCTION

1

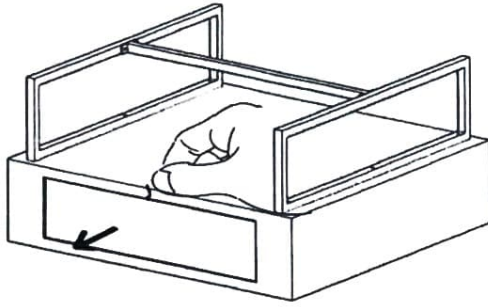


2

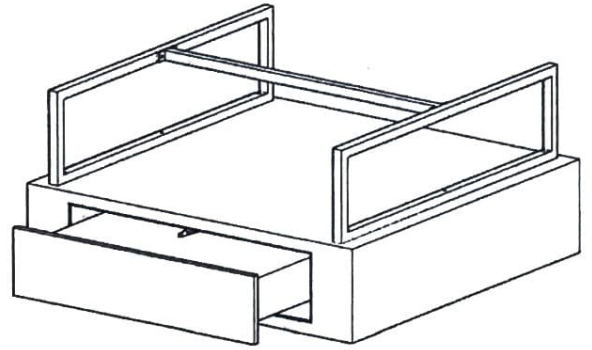


# ASSEMBLY INSTRUCTION

3



pull red cord to open drawer



4

insert push **F** and adjust

